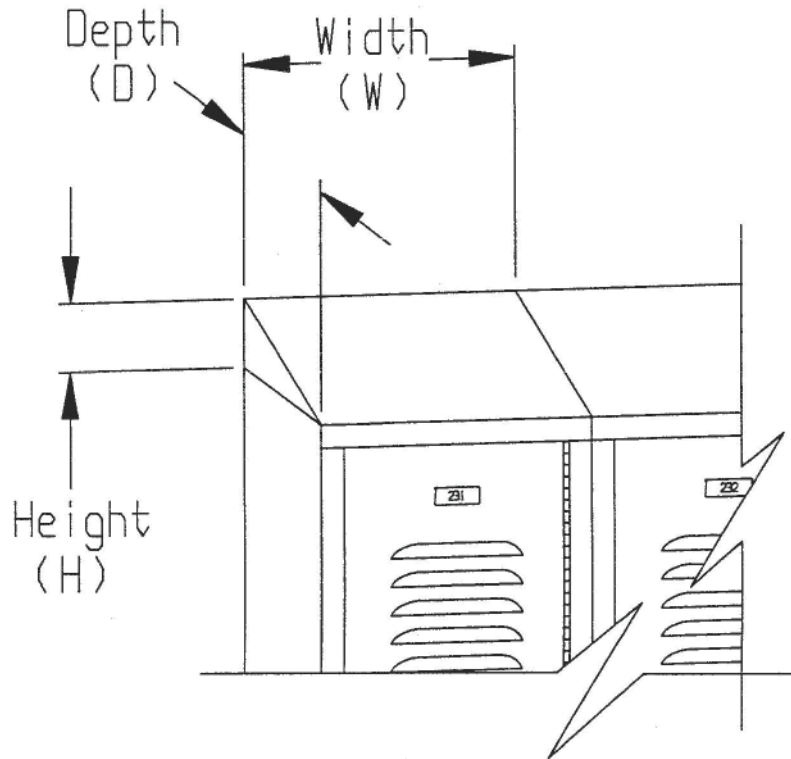


INDIVIDUAL

Date Issued 01-17



SIZE (inches)		
W	D	H
12	12	4
12	15	5
12	18	6
15	15	5
15	18	6
18	18	6

SPECIFICATION

Individual slope tops shall be 24 gauge sheet steel, powder coated to match the color of the lockers. Tops shall be formed to a slope which rises 1/3 of the locker depth.

THIS MANUFACTURER RESERVES THE RIGHT TO MAKE CHANGES IN DESIGN OR DIMENSIONS WITHOUT FORMAL NOTICE